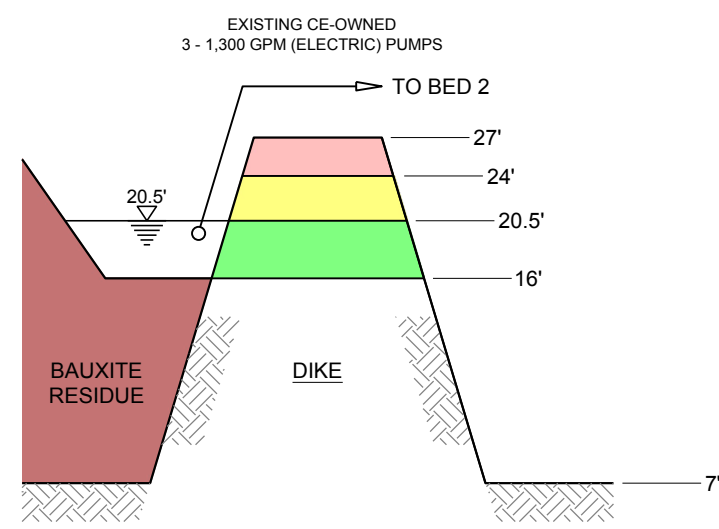
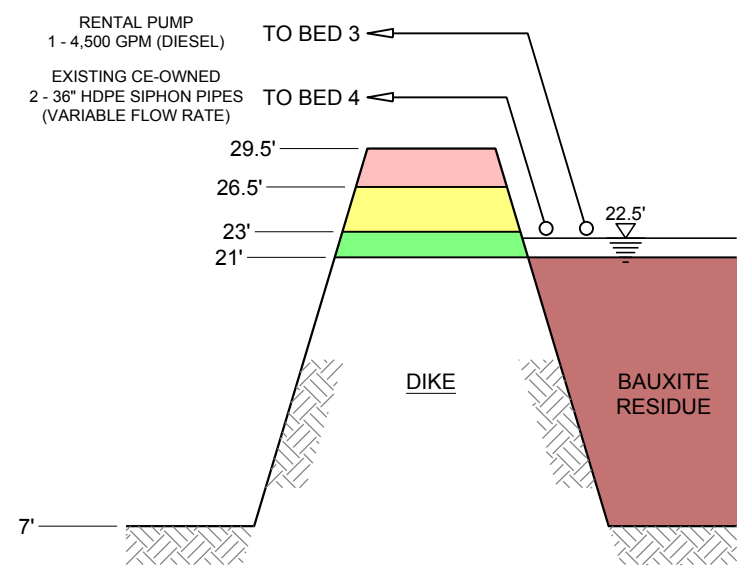


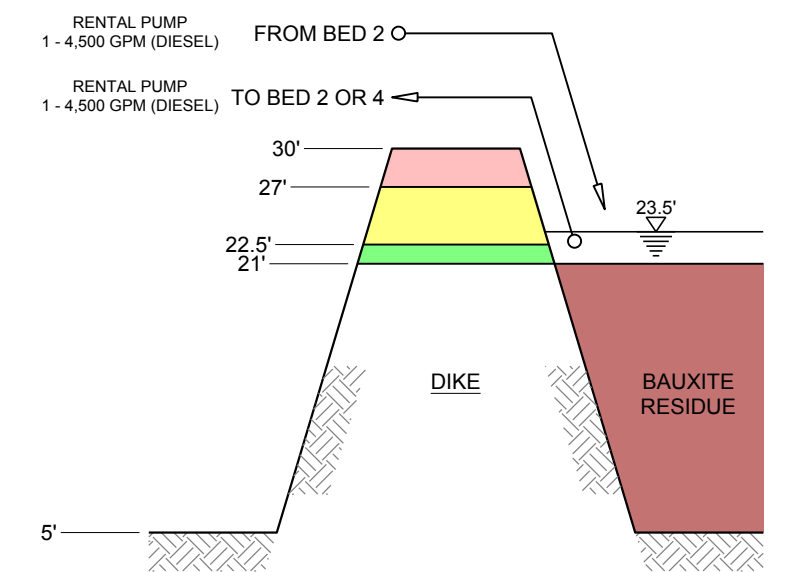
Path: \\gdr\gdr\_gdr\completestat\offshore\Tombstone\Projects - Visual\2018\18111309 - ALCOA CE Ranch\2023\05 - FIG 1 - Impoundment Operations Guide (May 2023).dwg | File Name: FIG 1 - Impoundment Operations Guide (May 2023).dwg | Last Edited By: adiamond | Date: 2023-05-22 | Time: 4:42:44 PM



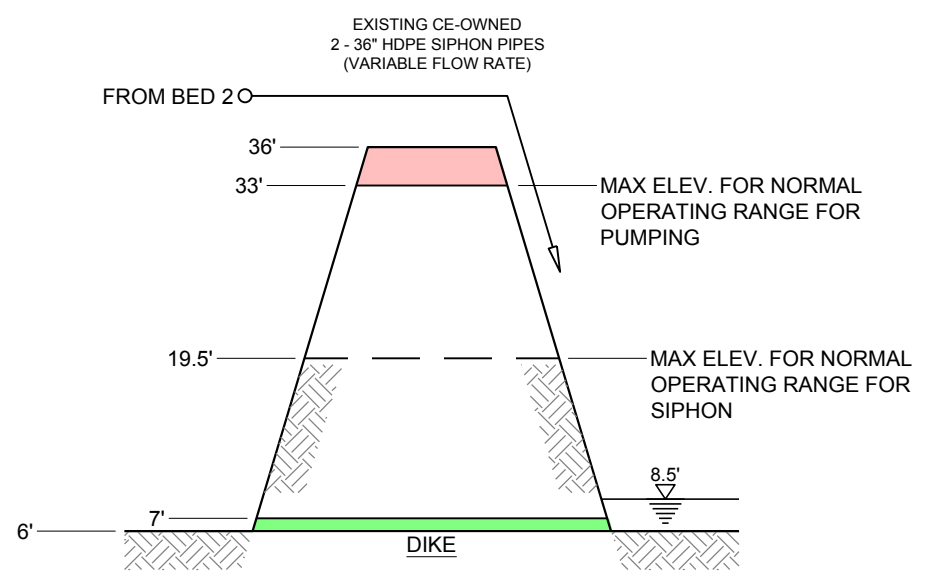
**BED 1-TRIANGLE/SUMP AREA**



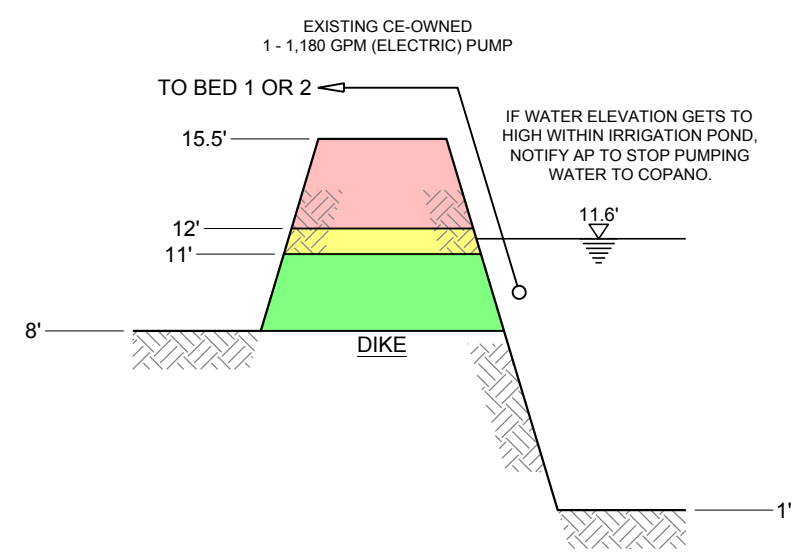
**BED 2**



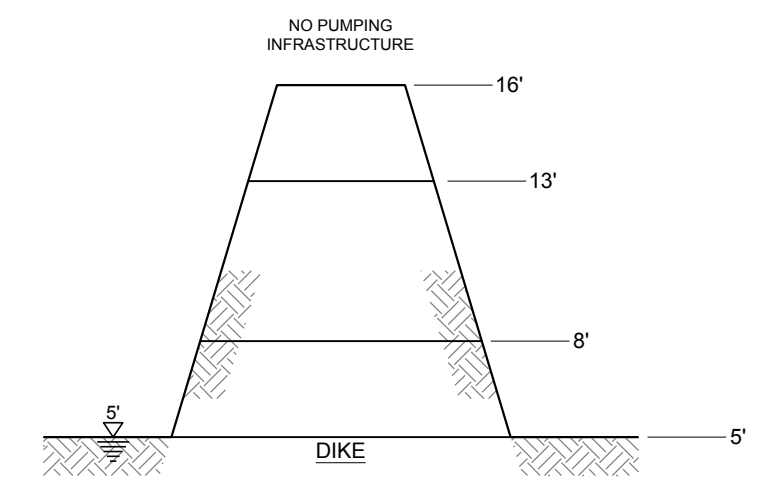
**BED 3**



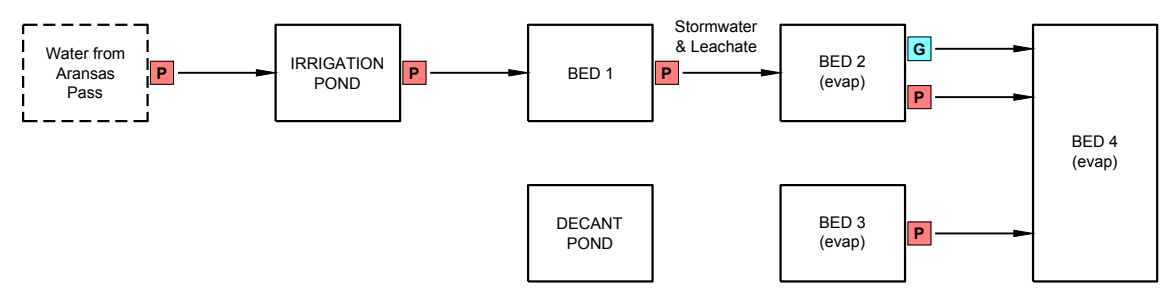
**BED 4**



**IRRIGATION POND**



**DECANT POND**



Copano is zero-discharge facility and water levels are currently by pumping (P)/gravity (G) and evaporation (evap).

**LEGEND**

- NO PUMPING ACTIONS REQUIRED
- NORMAL OPERATING RANGE PERIODIC PUMPING OR SIPHON ACTIONS REQUIRED
- IMMEDIATE PUMPING OR SIPHON ACTIONS REQUIRED
- CURRENT WATER LEVEL (AMSL)
- CURRENT TARGET WATER LEVEL (AMSL)

- NOTE(S)**
1. CROSS SECTIONS SHOWN ARE NOT TO SCALE.
  2. WATER ELEVATIONS MEASURED ON MAY 18, 2023.
  3. NO WATER TRANSFER (BY PUMPING AND/OR GRAVITY) IS CURRENTLY ON GOING.

CLIENT  
**CE RANCH LLC**

---

PROJECT  
**COPANO FACILITY**

---

TITLE  
**IMPOUNDMENT OPERATIONS GUIDE -  
CURRENT WATER ELEVATION (MAY 2023)**

---

CONSULTANT	YYYY-MM-DD	2023-05-22
	DESIGNED	AJD
	PREPARED	AJD
	REVIEWED	SEG
	APPROVED	SEG

---

PROJECT NO. 18111309A

REV. 0

FIGURE 1

1 in IF THIS MEASUREMENT DOES NOT MATCH WHAT IS SHOWN, THE SHEET SIZE HAS BEEN MODIFIED FROM ANSI B